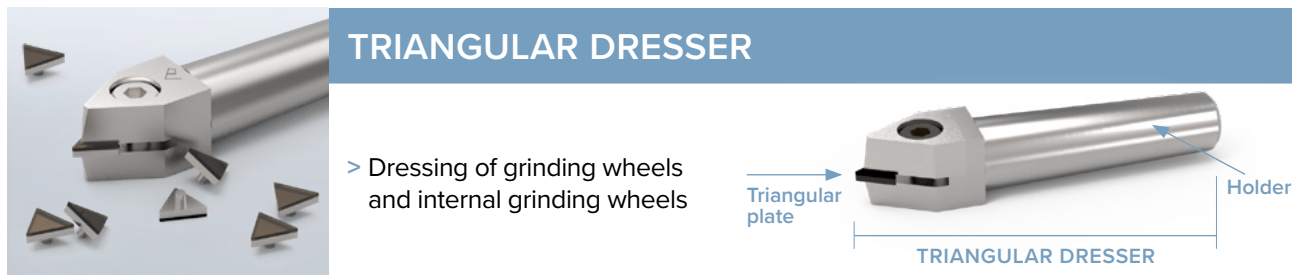


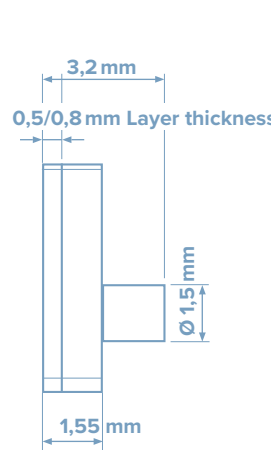
INQUIRY FORM

for the purpose of quotations and production

Contact details

Company		Email	
Contact person		Phone	
Address			



Quantity Triangular plate		Radii <input type="checkbox"/> 0,125 mm <input type="checkbox"/> 0,250 mm <input type="checkbox"/> 0,500 mm <input type="checkbox"/> without Radii (Sharp) <input type="checkbox"/> Other
<input type="checkbox"/> PKD <input type="checkbox"/> CVD		
Layer thickness <input type="checkbox"/> 0,5 mm <input type="checkbox"/> 0,8 mm		

Holder <input type="checkbox"/> MK1 <input type="checkbox"/> MK1 kurz <input type="checkbox"/> Cylinder Ø 9,5 mm <input type="checkbox"/> Other			
Quantity			

Abrasive grit <input type="checkbox"/> Corundum <input type="checkbox"/> Silicon carbide <input type="checkbox"/> Other	Ø in mm <input type="checkbox"/> Yes <input type="checkbox"/> No	Width in mm <input type="checkbox"/> Emulsion <input type="checkbox"/> Oil
Profile <input type="checkbox"/> Yes <input type="checkbox"/> No Graining Cooling		

Description of the dressing procedure/process

You have not found the right tool for your application? Please do not hesitate to contact us.