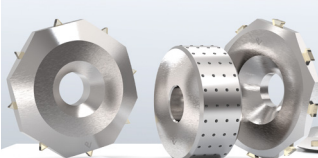


# INQUIRY FORM

for the purpose of quotations and production

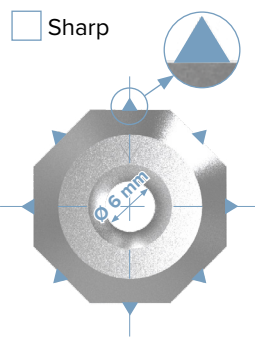
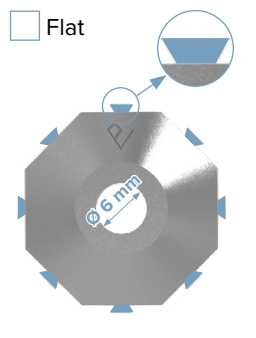
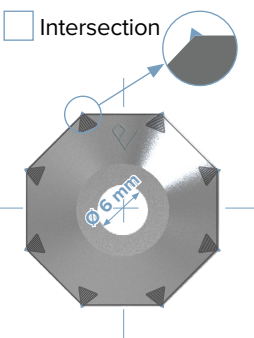
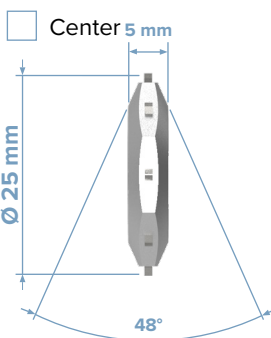


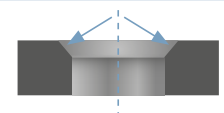
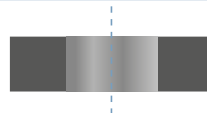
## Contact details

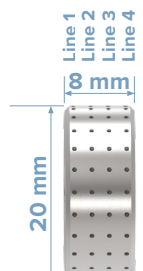
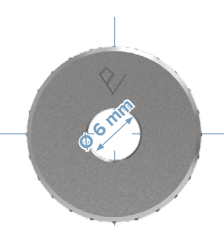
Company		Email	
Contact person		Phone	
Address			

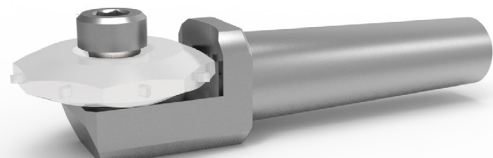


### DRESSING WHEELS

- > Dressing of straight grinding wheels as well as for profiling
- > Well suited for medium and coarse grinding wheel grit

<b>Quantity</b>			<b>Grind</b>	<input type="checkbox"/> Sharp	<input type="checkbox"/> Radius
<b>Number Diamonds</b>	<input type="checkbox"/> 4	<input type="checkbox"/> 8	Other	<b>Carat number per diamonds</b>	
<b>WITH DIAMONDS</b>	<input type="checkbox"/> Sharp	<input type="checkbox"/> Flat	<input type="checkbox"/> Intersection	<input type="checkbox"/> Center 5 mm	<input type="checkbox"/> One-sided
					
		Reduction for Clamping screw	<input type="checkbox"/> Yes 	<input type="checkbox"/> No 	

<b>Quantity</b>			<b>Grit</b>		
<b>Number line</b>	<input type="checkbox"/> x 24	<input type="checkbox"/> x 24	<input type="checkbox"/> SPC 20	<input type="checkbox"/> SPC 30	
<b>WITH GRIT</b>	<input type="checkbox"/> x 24	<input type="checkbox"/> x 24	<input type="checkbox"/> SPC 50	SPC = Stone per carat	
	<input type="checkbox"/> x 24		Other		
					

<b>ACCESSORIES</b>	<b>Holder* MK1</b>	<b>Quantity</b>			
			*Illustration with dressing wheel - not included, please order separately.		

**You have not found the right tool for your application? Please do not hesitate to contact us.**